

LoRaWAN™
MODULARIS MODULE
CM3020

WEHRLE



LoRaWAN™ Modularis Module enables the acquisition of water consumption data and transmits it wirelessly to the available LoRaWAN™ network.

LoRaWAN™ Modularis Module is meant to be attached to the Wehrle(compatible) water meter.

OVERVIEW

Efficient

LoRaWAN™ Modularis Module has bidirectional, battery powered, long range transceiver with low power consumption.

Intelligent

Real-time usage data is gathered wirelessly and processed automatically. Data is accessible from your LoRaWAN™ provider.

APPLICATIONS

Water metering

Frequent reporting provides a detailed usage overview.

Usage detection

LoRaWAN™ Modularis Module can be configured to send alerts when usage is detected.

FEATURES

- Long range wireless data transmission
- Pre-installed long-life battery
- Water metering
- Configurable reporting interval
- Maintenance free - install & forget
- Easy installation
- Average life 8 years*
- Secure communication

* Lifetime depends from device location and reporting interval.

SPECIFICATIONS

Diameter:	64.0 mm
Height:	39.2 mm
Weight:	60 g
Operating temperature:	-20°C ... +65°C
Communication range:	up to 15km*
Tx power:	up to +20dBm
Rx Sensitivity:	-140dBm
MAC Layer:	LoRaWAN™
Physical Layer:	LoRa®
Body material:	Polycarbonate
IP Rating:	IP68
Communication:	LoRaWAN™

* Communication range is dependent on the location of the sensor and nearest base station.

COMMUNICATION

Bit order:	LSB
Usage reporting:	Unconfirmed messages
Status reporting:	Confirmed messages
Device configuration:	Confirmed messages. Device confirms configuration change by replying with changed configuration values.

PORT LIST

fPort	Usage	Format	Uplink	Unit	Comment
14	Water Usage	uint32	yes	liters	Cumulative
24	Status		yes	-	Defined below
50	Configuration		no	-	Defined below
99	Boot/Debug		yes	-	Defined below

FW version >= 0.6.0

fPort 14 Usage Message

Byte 0	Byte 1	Byte 2	Byte 3
Liter count (uint32)			

MESSAGE SAMPLE

Message in base64

```
gAoAAA==
```

Message decoded to hex

```
800A0000
```

HEX message flip for MSB

```
00000A80
```

HEX message converted to decimal

```
2688 (liters)
```

fPort 24 Status Message

Byte 1	Byte 2	Byte 3	Byte 4	Byte 5	Byte 6	Byte 7	Byte 8	Byte 9
Usage counter (uint32)				Battery mV/16 (Int8)	Temperature* °C (int8)	RFU	Status	

Bit #	Function	Mode	Status
0	RFU		
1	RFU		
2	Temp. detection	0: off 1: on (default)	0: ok 1: alert
3	RFU		
4	RFU		
5	RFU		
6	User triggered		0: false 1: true
7	is Alert		

* Uncalibrated value +-5 °C

Message sample

Message in base64

```
EQAAAE4kAARA
```

Message decoded to hex

```
110000004e24000440
```

Usage counter `11000000` HEX message flip for MSB

```
00000011
```

HEX message converted to decimal

```
17 (liters)
```

Battery HEX message

```
4E
```

HEX message converted to decimal

```
78
```

Value multiplied by 16 to get mV value

```
1278 mV (1.284 V)
```

Temperature HEX message

```
24
```

HEX message converted to decimal

```
36°C
```

RFU

```
00
```

Status HEX message

```
0440
```

Status HEX message first byte converted to binary

```
0000 0100
```

Binary converted to statuses (LSB)

```
0 : RFU
1 : RFU
1 : Temperature detection - on
0 : RFU
0 : RFU
0 : RFU
0 : RFU
0 : RFU
0 : RFU
```

Status HEX message second byte converted to binary

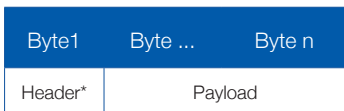
```
0100 0000
```

Binary converted to alerts (LSB)

```
0 : RFU
0 : RFU
0 : Temperature detection - ok
0 : RFU
0 : RFU
0 : RFU
1 : User triggered - true*
0 : Is Alert - false
```

* Status message can be triggered manually by putting the magnet on the sensor for 1 second. When the message is manually triggered then user triggered bit will be set to true.

fPort 50 Configuration Message



Value	Bit #	Parameter	Payload size	Type	Value	Unit	Comment
0: not sent 1: sent	0	Reporting interval	32bit	uint	3600**	seconds	0 = disabled 600..86400
	1	RFU					
	2	Status Interval	32bit	uint	86400**	seconds	0 = default 900..86400
	3	Counter	32bit	uint		liters	
	4	Temp. threshold	8bit	int	0	°C	
	5	RFU					
	6	RFU					
	7	Functions	8bit				

Bit #	Function	Value
0	RFU	
1	RFU	
2	Temp. detection	0: off 1: on (default)
3	RFU	
4	RFU	
5	RFU	
6	RFU	
7	RFU	

* only 1 parameter can be configured at once.

** Values are rounded down to full minutes

Message sample

Message goal: Configure reporting interval to 600 sec

Header

Function selection

```
1 : Reporting interval (seconds) - set
0 : RFU
0 : Status interval - not set
0 : Counter - not set
0 : Temperature threshold - not set
0 : RFU
0 : RFU
0 : Functions - not set
```

Selection converted to binary

```
00000001
```

Selection converted to HEX

```
01
```

Reporting interval (seconds)

Converting interval 600 to HEX

```
258
```

Flip interval for LSB

```
58020000
```

Compile message for sending (HEX)

```
0158020000
```

Control value in base64 to control after sending

```
AVgCAAA=
```

fPort 51 Update message

Byte 0
Header
FF

Activate update mode for BT update for 2 minutes. if nothing is done the device will reboot, join and resume working

NB! **Only** unconfirmed messages should be used for this message.

Message sample

Message goal: Set device to update mode

Header

Select Header HEX code

FF

Compile message for sending (HEX)

FF

Control value in base64 to control after sending

/w==

fPort99 Boot/Debug message

Byte 1	Byte 2	Byte n
Header (HEX)	Payload	

Boot message

Byte 1	Byte 2	Byte 3	Byte 4	Byte 5	Byte 6	Byte 7	Byte 8	Byte 9	Byte 10..17
Header	Serial				Firmware			Reset reason	Debug info
00	HEX				HEX			HEX	BCD

Message sample

Message in base64

```
ABYBEUwABgAQBACDACgBQAAAAA==
```

Message decoded to hex

```
001601114c0006001004008300280140000000
```

Header HEX message

```
00
```

HEX translated to type

```
Boot
```

Serial HEX message

```
1601114C
```

Flip HEX message for MSB

```
4C110116
```

Firmware version

Major version in HEX

```
00
```

HEX value converted to decimal

```
0
```

Minor version in HEX

```
06
```

HEX value converted to decimal

```
6
```

Patch version in HEX

```
00
```

HEX value converted to decimal

```
0
```

Reset reason

10

Convert to reason

Calibration timeout

Debug info

04008300280140000000

Shutdown message

Byte 1	Byte 2	Byte 3..11
Header	Reason	Status packet
01	HEX	Standard status message (fPort24)

Value	Reason
10	Calibration timeout
31	Shutdown by user (magnet)

Message sample

Message in base64

ATERAAAATiQABEA=

Message decoded to hex

0131110000004e24000440

Header HEX message

01

HEX translated to type

Shutdown

Reason HEX message

31

HEX translated to type

Shutdown by user (magnet)

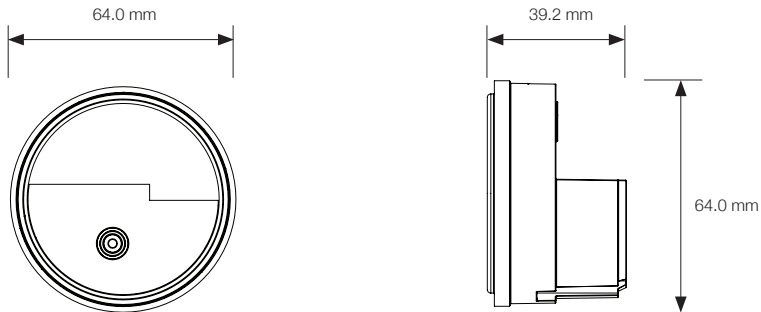
Status message

110000004e24000440

Translate according standard (fPort24)

DIMENSIONS

Dimensions



COMPATIBILITY LIST

- Wehrle Modularis meters
- Bernhardt Modularis compatible meters
- Maddalena CD SD PLUS EVO
- Maddalena VTZ
- Simens WFW30/WFK30 series

ORDERING INFORMATION

Article / SKU	Package qty	Frequency	Region
CM3020A#0001EU	1	868 MHz	EU
CM3020B#0001AU	1	922 MHz	AU
CM3020C#0001US	1	915 MHz	US
CM3020D#0001AS	1	923 MHz	AS
CM3020E#0001CN	1	780 MHz	CN
CM3020F#0001KR	1	922 MHz	KR
CM3020G#0001EU	1	433 MHz	EU
CM3020H#0001CN	1	470 MHz	CN
CM3020E#0001IN	1	866 MHz	IN

CONTACT INFORMATION

Nordic Automation Systems AS

www.nasys.no

info@nasys.no

REVISION HISTORY

- 0.1 - First draft
- 0.2 - Status message
- 1.0 - Updated communication protocol
- 1.1 - Protocol corrected
- 1.2 - Usage counter lengths corrected

All content contained herein is subject to change without notice. Nordic Automation Systems reserves the right to change or modify the content at any time.