

LoRaWAN® LUMINAIRE CONTROLLER NEMA UL2020



LoRaWAN® Luminaire Controller NEMA is a remote device for HID or LED luminaires equipped with ANSI C136.41 NEMA receptacle socket.

The luminaire is controlled through DALI or 0..10V analog control interfaces, while providing a reliable power interconnect with three robust twist lock contacts.

Control commands from/to dedicated application are to be sent/received using LoRaWAN® network.



OVERVIEW

Universal

Supports LED and HID luminaires.

APPLICATIONS

Luminaires control

Supports customisable dimming profiles together with light intensity inputs

Array control

Allows to control an array of 32 luminaires over the DALI interface

Power monitoring

Monitor used power and luminaire burn time

FEATURES

- DALI or Analog interface
- Luminaire intensity control
- Light intensity input
- IP66
- Surge protection
- Power metering

SPECIFICATIONS

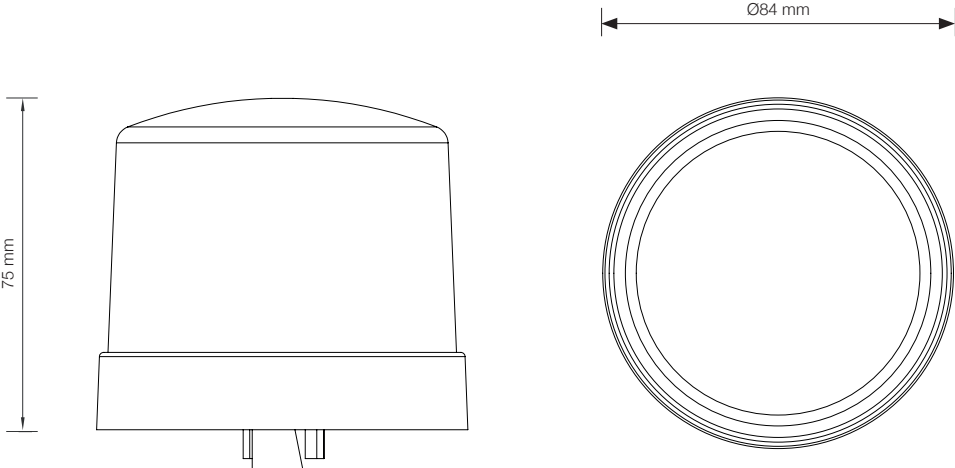
Height:	98.0 mm
Diameter:	84.0 mm
Weight:	ca 99 g
Operating temperature:	-30°C ... +60°C
Power consumption:	230V -15% .. +10% <1V A
Communication range:	up to 15 km* LoRaWAN®
Tx power:	up to +20 dBm
Rx Sensitivity:	-140 dBm
MAC Layer:	LoRaWAN®
Physical Layer:	LoRa®
Body material:	ABS
IP Rating:	IP66
Communication:	LoRaWAN®, Bluetooth LE (for configuration)

* Communication range is dependent on the location of the sensor and nearest base station.

INTERFACE SPECIFICATIONS

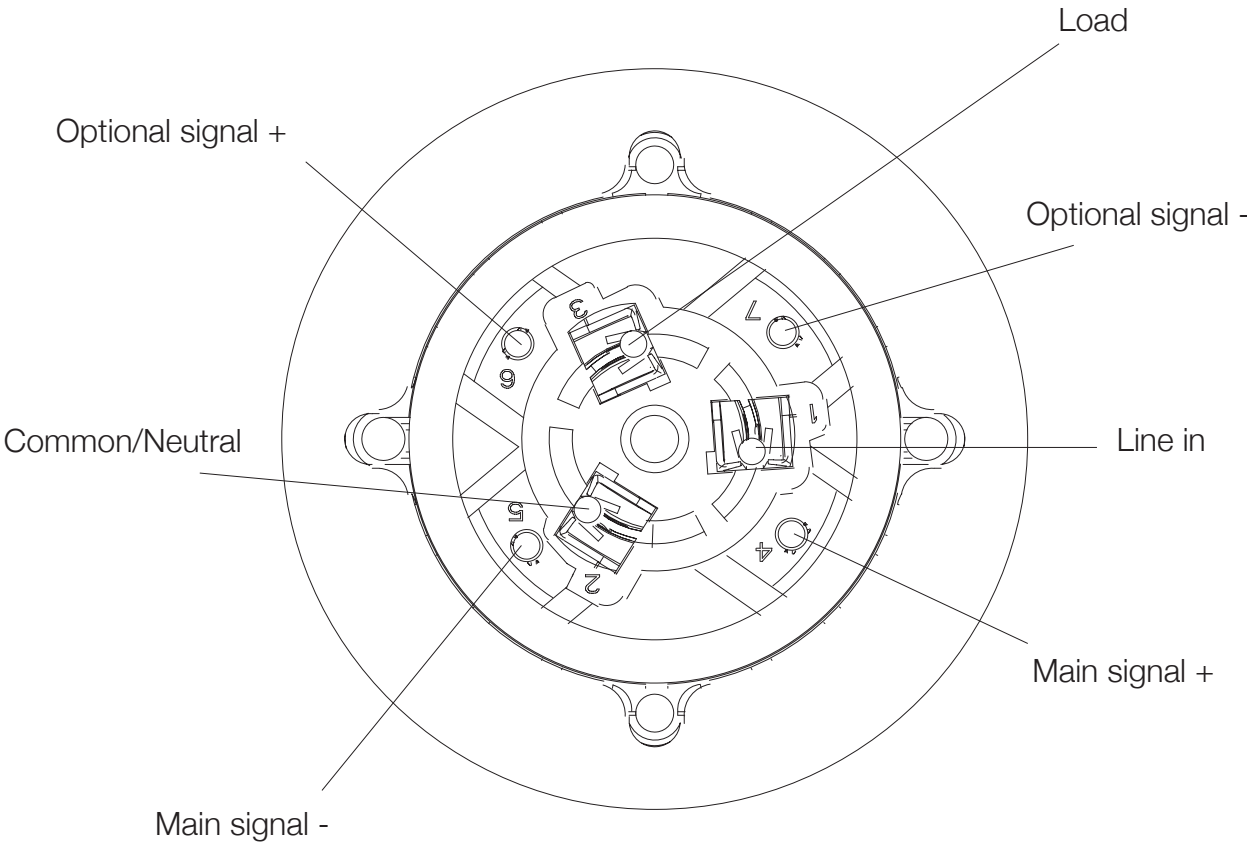
Relay max current:	6A
Surge protection:	4500V
Analog intensity control output voltage:	0V .. 10V
DALI Interface max number of slaves:	32

DIMENSIONS

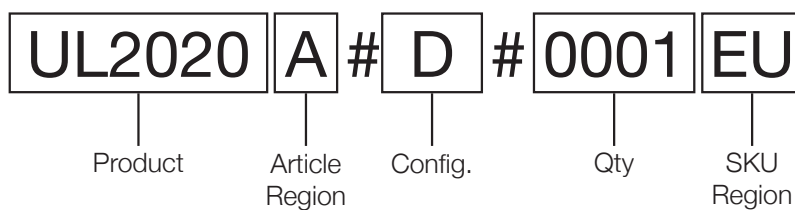


ACCESSORIES

WIRING DIAGRAM / PINOUT



ORDERING INFORMATION



Product/SKU	Package qty	IP Rating
UL2020x#x#0001xx	1	IP66

Article region	SKU region	Band
A	EU	EU868
B	AU	AU915
C	US	US915
D	AS	AS923
F	KR	KR920
I	IN	IN865

Model	Configuration*	
		Optional
UL2020	D - Main & optional signal DALI	X** - custom request
	A - Main & optional signal Analog (0..10V)	

*Select only upto one option from each column

** Need to confirmed before ordering

CONTACT INFORMATION

Nordic Automation Systems AS

www.nasys.no

info@nasys.no

All content contained herein is subject to change without notice. Nordic Automation Systems reserves the right to change or modify the content at any time.