

# LoRaWAN® LUMINAIRE CONTROLLER IP54 UL2002



LoRaWAN® Luminaire Controller is a remote controlling device for LED and HID luminaries using 0...10V analog or DALI control signal.

Control commands from/to dedicated application are to be sent/received using LoRaWAN® network.

# OVERVIEW

## Universal

Supports LED and HID luminaires.

# APPLICATIONS

## Luminaires control

Supports customisable dimming profiles

## Array control

Allows to control an array of 64 luminaires over the DALI interface

## Power monitoring

Monitor used power and luminaire burn time

# FEATURES

- DALI interface
- Relay control
- Luminaire intensity control
- IP54
- Surge protection
- Power metering

# SPECIFICATIONS

Length:	134.0 mm
Width:	54.0 mm
Depth:	33.0 mm
Weight:	ca 99 g
Operating temperature:	-30°C ... +60°C
Power consumption:	230V -15% .. +10% <1V A
Communication range:	up to 15 km* LoRaWAN®
Tx power:	up to +20 dBm
Rx Sensitivity:	-140 dBm
MAC Layer:	LoRaWAN®
Physical Layer:	LoRa®
Body material:	ABS
IP Rating:	IP54
Communication:	LoRaWAN®, Bluetooth LE (for configuration)

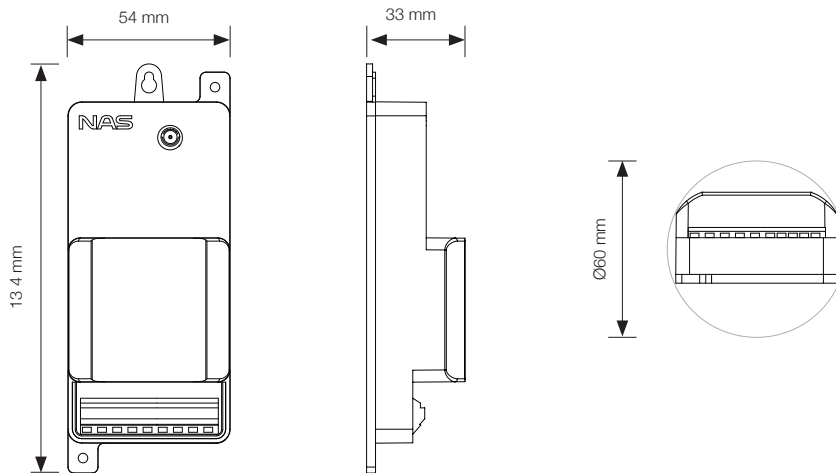
\* Communication range is dependent on the location of the sensor and nearest base station.

# INTERFACE SPECIFICATIONS

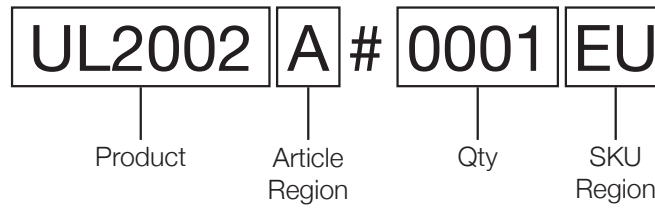
Relay max current:	6A
Surge protection:	IEC 61000-4-5 Class 4 (4kV)
Intensity control output voltage:	0V .. 10V
DALI Interface max number of slaves on (int. power supply):	32

# DIMENSIONS / PACKAGING

## Dimensions



# ORDERING INFORMATION



Product/SKU	Package qty	IP Rating
UL2002x#0001xx	1	IP54

Article region	SKU region	Frequency
A	EU	868 MHz
B	AU	922 MHz
C	US	915 MHz
D	AS	923 MHz
F	KR	922 MHz
I	IN	866 MHz

# CONTACT INFORMATION

Nordic Automation Systems AS

[www.nasys.no](http://www.nasys.no)

[info@nasys.no](mailto:info@nasys.no)

All content contained herein is subject to change without notice. Nordic Automation Systems reserves the right to change or modify the content at any time.