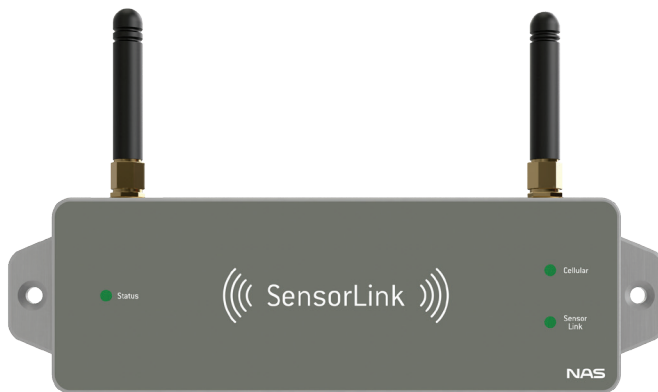


SensorLink GATEWAY CELLULAR IM1010A



SensorLink Gateway Cellular is the gateway for all NAS products towards NAS Analytics platform, collecting real-time data and providing feedback if necessary.

Aluminium body makes the Gateway durable and easily mountable. Gateway establishes a Link to NAS Analytics over cellular connection.

OVERVIEW

Universal

Supports all SensorLink devices in different applications

Plug and play

Easily mountable with automatic startup. No additional software needed.

Robust design

Screw-mountable aluminium body.

APPLICATIONS

Industrial Tool Monitoring

Enables increased efficiency of pneumatic, electrical and battery tools by measuring the trigger time and consumption data in real-time.

Asset Management

Asset Management is an integrated solution that monitors the presence of inventory between different storages and provides real-time theft prevention.

Compressed Air Management

A real-time air pressure optimization solution for the best consumption and performance ratio of pneumatic systems.

Tailor-made Solutions

No two production lines are identical. We approach every project individually and find unique sources of optimization for each of them.

FEATURES

- Two-band GSM connection
- Modbus RTU interface*
- Internal data recording for backup
- Firmware OTA upgradable

*Optional (Communication interface required)

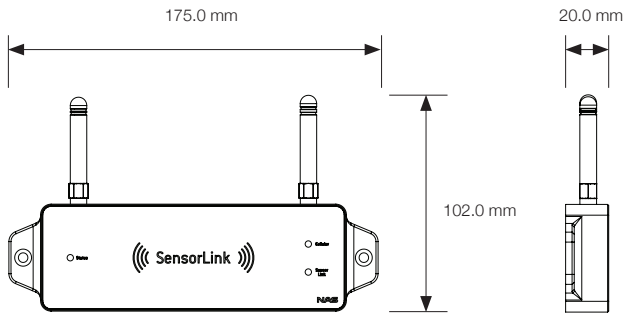
SPECIFICATIONS

Length	175.0 mm
Width	20.0 mm
Height	102.0 mm
Weight	200 g
Operating temperature	-20°C... +60°C
IP Rating	IP43
Power consumption	9W
Body material	Aluminium
Cleaning recommendations	Alcohol-based liquids and soft tissue
Communication	2.4 GHz NAS SensorLink protocol / Bluetooth LE Modbus RTU*
SecureCloud Connection	900/1800 Mhz GSM

*Optional (Communication interface required)

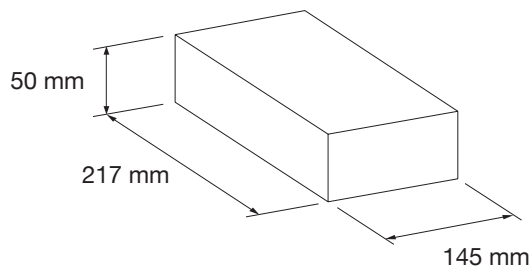
DIMENSIONS / PACKAGING

Dimensions

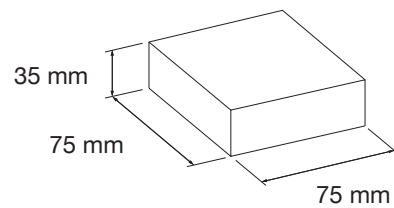


Packaging

Gateway



Communication interface



ORDERING INFORMATION

Article / SKU	Package qty	Content
IM1010A#0001EC	1	Gateway
IX8000A#0001EC	1	Communication interface

CONTACT INFORMATION

Nordic Automation Systems AS

www.nasys.no

info@nasys.no

HAVS information

www.stophavs.com

