

# LoRaWAN™ IP68 PULSE READER

## UM3080

### 1 CONNECT THE SENSOR

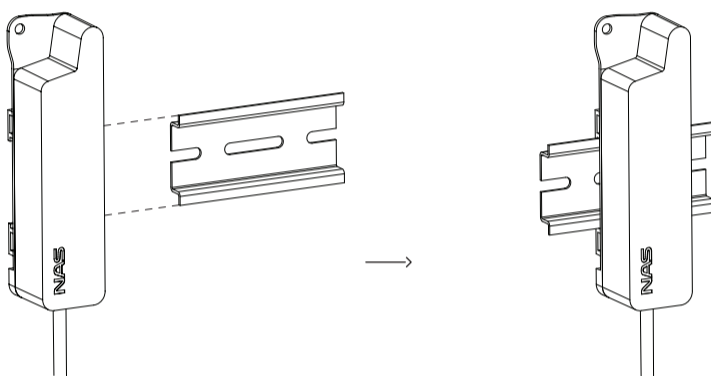
Connect the sensor according to the device pinout.

Color	Interface
White	Digital 1
Yellow	Digital 2
Brown	Ground
Green	Ground

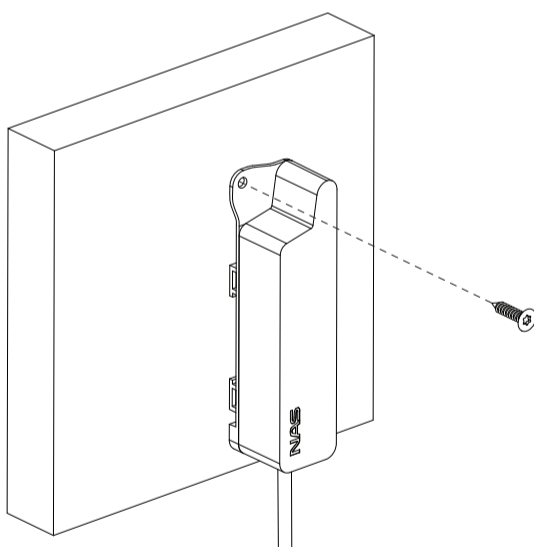
### 2 READER INSTALLATION

Choose one of the following methods.

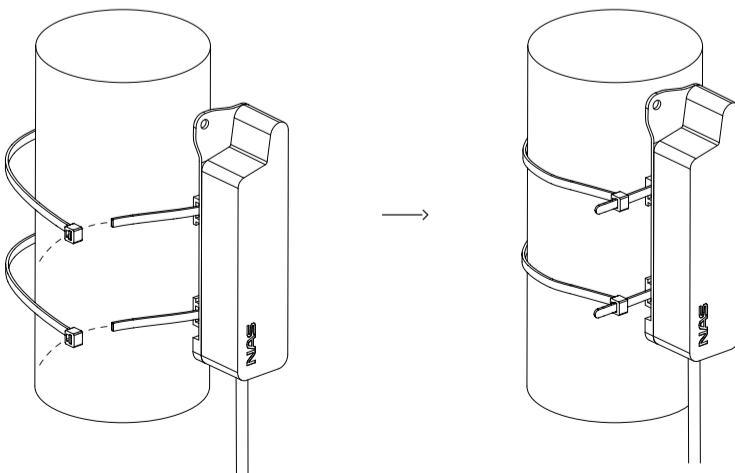
a) DIN rail installation. Slide the device onto the DIN rail.



b) Wall mount. Fasten the device with a screw (diameter max. 4 mm).



c) Pole mount. Fasten the device using cable ties.



# LoRaWAN™ IP68 PULSE READER

## UM3080

### 3 SWITCHING ON

Hold the magnet against the device (see illustration below) for at least 1 second.

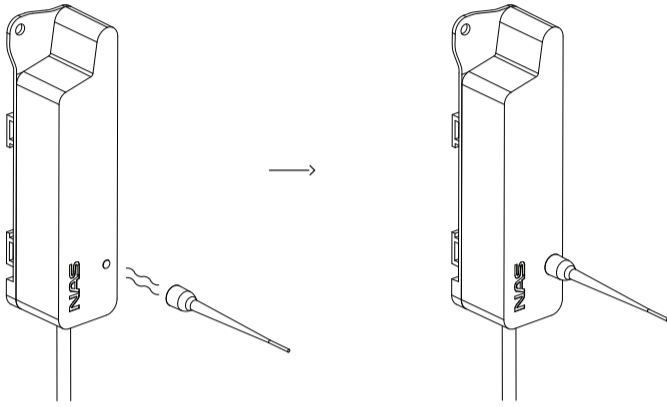
\*The sensor starts to initialize and the red light will flash (at least 5 seconds).

- If the sensor failed to initialize the red light will stay on for 5 sec.

\* The sensor tries to register to network and the green light is flashing.

- If it failed to join, the red light will stay on for 5 sec.

\* If the network join was successful, the green light will stay on for 5 sec.



### 4 TROUBLESHOOTING

If the device did not register to the network, it can be for 2 reasons:

- The device is not allowed in the network and it must be registered with the service provider.

The necessary data is on a separate sticker in the package (DevEUI, AppEUI, AppKey). Once the device is registered repeat the switching on procedure described under point 4.

- There is no LoRaWAN reception. Contact your LoRaWAN service provider.