

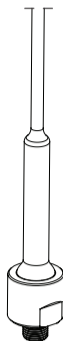
LoRaWAN™ IP68 PULSE READER + SSI

UM3070

1 CONNECT THE SENSOR TO THE READER

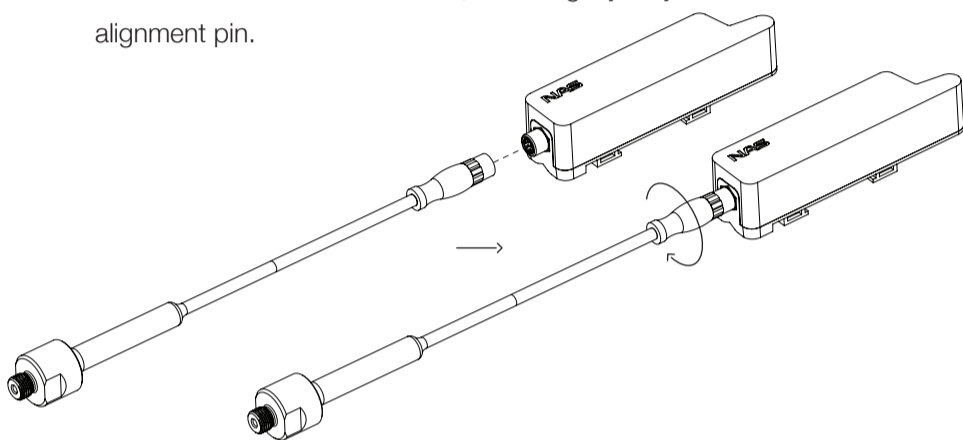
UM3070 - Digital + SSI

Color	Interface
White	Digital 1
Brown	Clock
Grey	Data
Black	Ground (Common)
Blue	Digital 2
Pink	+3,6V



2 CONNECT THE CABLE TO THE READER

Connect the cable to the device, fasten tightly. Pay attention to the alignment pin.



3 READER INSTALLATION

Choose one of the following methods.

a) DIN rail installation.

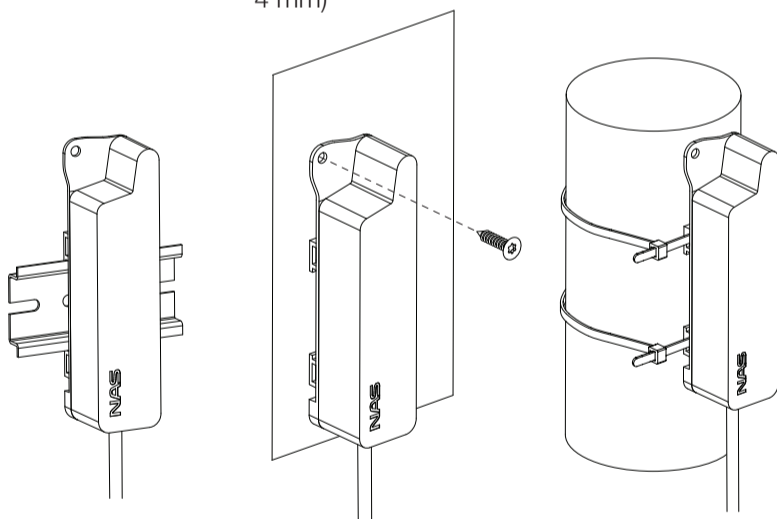
Slide the device onto the DIN rail.

b) Wall mount.

Fasten the device with a screw (Ø max. 4 mm)

c) Pole mount.

Fasten the device using cable ties.



4 SWITCHING ON

Hold the magnet against the device (see illustration below) for at least 1 second. (with AU/US915 see optional Step 6).

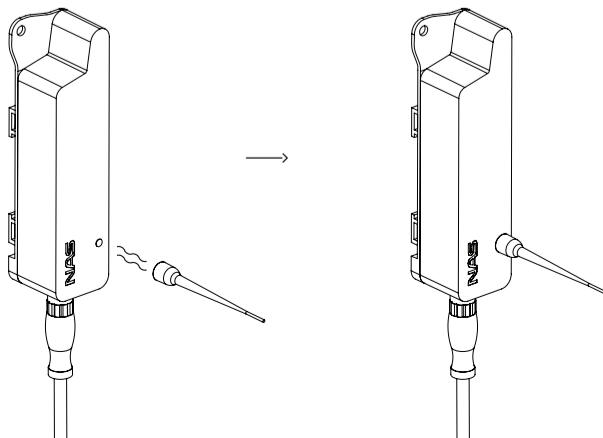
*The sensor starts to initialize and the red light will flash (at least 5 seconds).

- If the sensor failed to initialize the red light will stay on for 5 sec.

* The sensor tries to register to network and the green light is flashing.

- If it failed to join, the red light will stay on for 5 sec.

* If the network join was successful, the green light will stay on for 5 sec.



5 TROUBLESHOOTING

If the device did not register to the network, it can be for 2 reasons:

- The device is not allowed in the network and it must be registered with the service provider.

The necessary data is on a separate sticker in the package (DevEUI, AppEUI, AppKey). Once the device is registered repeat the switching on procedure described under point 4.

- There is no LoRaWAN reception. Contact your LoRaWAN service provider.

6 REGION SPECIFIC TASK FOR AU/US915 (OPTIONAL)

For AU/US915 devices it is possible to set the ChMask already on activation to speed up join procedure.

It is possible to mask channel in groups of 8x125kHz channel + 1x500kHz channel. See illustration below. To mask the channels on initialisation follow the normal switching on procedure in Step 4, but do not release the magnet. After couple of seconds, blue led will flash. This will indicate the ChMask group. First flash means 0..7+64 if you keep holding the magnet then next blue flash will indicate 8..15+65 etc (increasing by 8+1 channels with each flash). Once the desired ChMask has been chosen the magnet should be released and steps followed according to the normal procedure.

Number of Blue flashes	ChMask mask applied
0	none (0..64+65..71)
1	0..7+64
2	8..15+65
3	16..23+66
4	24..31+67
5	32..40+68
6	41..49+69
7	50..58+70
8	59..64+71