

LoRaWAN™ IP68 PULSE + ANALOG READER

UM3023

1

CONNECT THE SENSOR

Connect the sensor according to the device pinout.

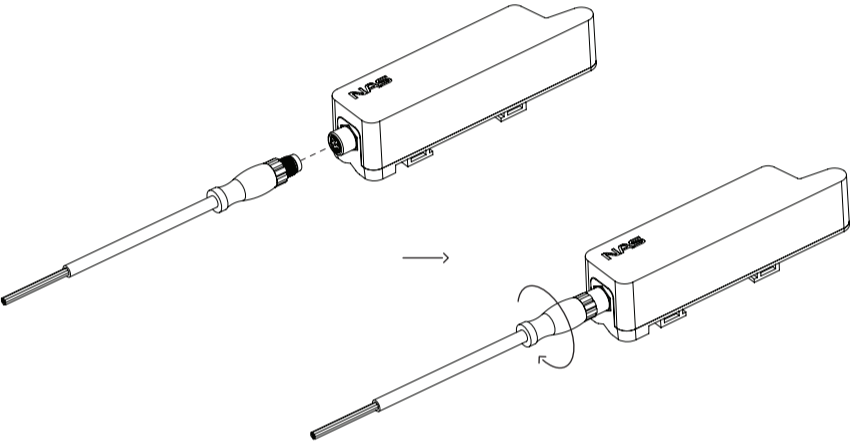
UM3023 - Digital + Analog

Color	Interface
White	Digital 1
Brown	Analog 1
Grey	Analog 2
Black	Ground (Common)
Blue	Digital 2
Pink	n/a

2

CONNECT THE CABLE TO THE READER

Connect the cable to the device, fasten tightly. Pay attention to the alignment pin.

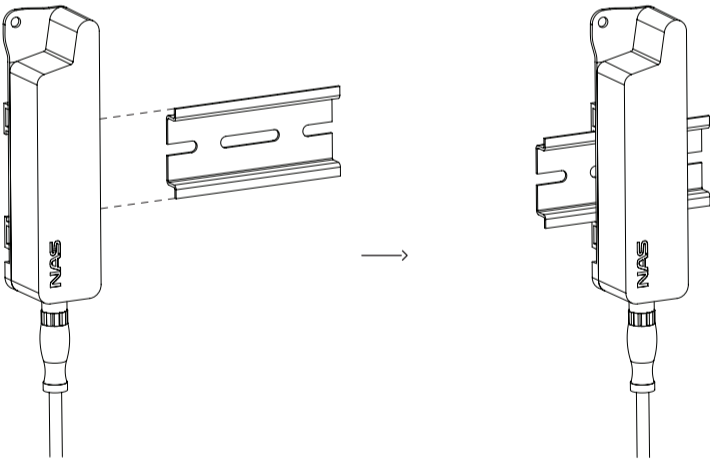


3

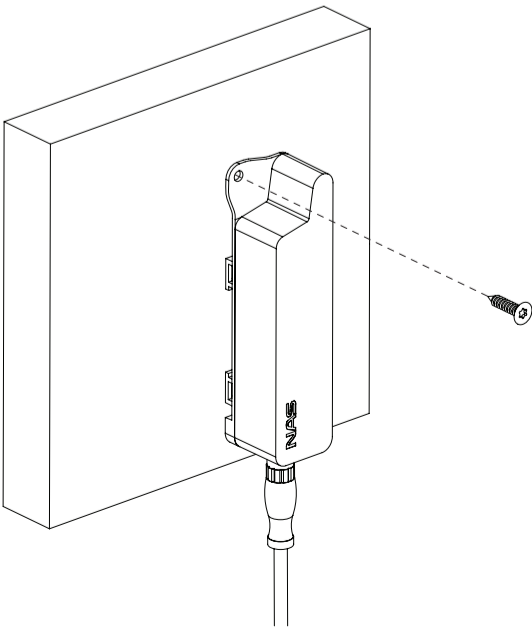
READER INSTALLATION

Choose one of the following methods.

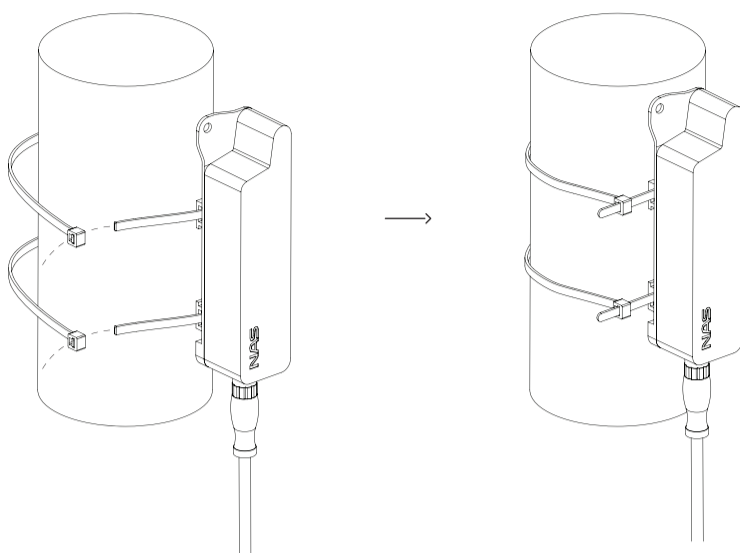
a) DIN rail installation. Slide the device onto the DIN rail.



b) Wall mount. Fasten the device with a screw (diameter max. 4 mm).



c) Pole mount. Fasten the device using cable ties.



4 SWITCHING ON

Hold the magnet against the device (see illustration below) for at least 1 second.

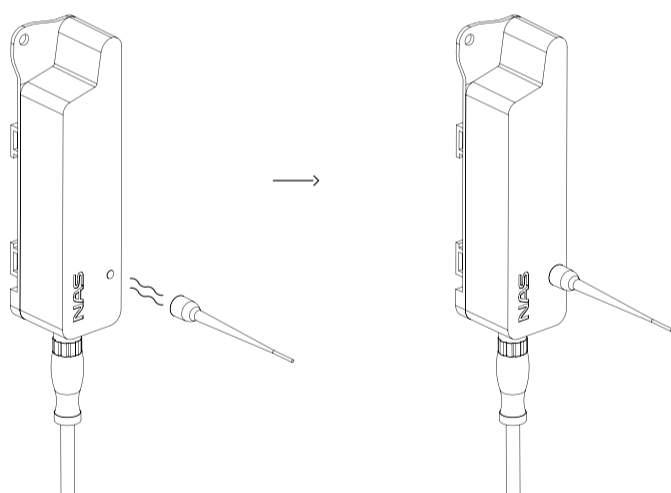
*The sensor starts to initialize and the red light will flash (at least 5 seconds).

- If the sensor failed to initialize the red light will stay on for 5 sec.

* The sensor tries to register to network and the green light is flashing.

- If it failed to join, the red light will stay on for 5 sec.

* If the network join was successful, the green light will stay on for 5 sec.



5 TROUBLESHOOTING

If the device did not register to the network, it can be for 2 reasons:

- The device is not allowed in the network and it must be registered with the service provider.

The necessary data is on a separate sticker in the package (DevEUI, AppEUI, AppKey). Once the device is registered repeat the switching on procedure described under point 4.

- There is no LoRaWAN reception. Contact your LoRaWAN service provider.