

# SensorLink PNEUMATIC TOOL SENSOR IM3001

**EUROPROFILE**



SensorLink pneumatic tool sensor is a wireless device that makes your pneumatic tools visible to NAS Analytics Platform.

Sensor is attached to air powered tools by replacing regular male fitting.

Sensor's body is made of 7000 series aluminium or stainless steel with polyurethane covering protecting electronics.

Analytics Platform monitors tool's trigger time, vibration level, consumption data, maintenance cycles and enables to set up reports based on that information.

# OVERVIEW

## Efficient

Sensor is equipped with pre-charged lithium polymer battery with no maintenance needed during product lifetime.

## Intelligent

Real-time usage data is gathered wirelessly and processed automatically. Data is accessible on any PC or smartphone connected to the internet.

## Robust design

Small aluminium body makes the sensor light yet durable, having no interference on working conditions.

## Plug and play

Easily mountable with automatic discovery. No additional software needed.

# APPLICATIONS

## Tool lifecycle management

Detailed overview of working cycles with exact trigger time, consumption details and notifications of upcoming maintenance deadlines to prolong tools' lifetime.

## Vibration monitoring and HAVS prevention

Preventing Hand-Arm Vibration Syndrome by gaining daily vibration exposure level overviews for every employee.

## Tool identification and inventory management

Default user and location assignment to each tool with real-time stock management.

## Presence monitoring

Tools with attached SensorLink sensors connect with SensorLink Gateway as soon as they reach it's signal range and can be monitored live

## Air supply monitoring\*

Overview of consumption and locating leakages. Pressure monitoring.

# FEATURES

- Wireless data transmission
- Pre-charged lithium polymer battery, lifetime up to 2 years
- Air flow measurement 120-1200 l/min
- Pressure measuring range 0-10 bar\*
- Trigger time measurement
- Worker identification
- Ambient temperature measurement
- Sensor internal data recording for off-site usage
- Flowrate 1050l/min @ 0,6 bar drop
- Factory calibrated
- Firmware OTA upgradable
- Various thread and connector types available

\* IM3001AP/IM3001DP only

# SPECIFICATIONS

Length :	61.1 mm
Diameter:	21.0 mm
Weight:	24 g Aluminium / 47 g Stainless steel
Connector standard:	Europrofile
Operating temperature:	0°C ... +30°C
Maximum trigger flow:	150 l/min, 6 bar
Pressure accuracy:	200 mbar*
Pressure measuring range:	0-10 bar*
RF range:	up to 30 m**
Battery lifetime:	up to 2 years**
Nominal flow diameter:	5 mm
Air flow:	1050 l/min***
Max. working pressure:	10 bar (145 PSI)
Nipple material:	7000-series aluminium / Stainless steel
Body material:	Polyurethane
Interchangeable with:	Rectus 25/26 Tema 1600/1625 Prevost ESC07/ERC07/ESI07/ISC08 Oetiker SC C Hansen Auto-Flo 24
Thread type:	1/4" BSP / G 1/4" NPT
Cleaning recommendation:	Alcohol-based liquids and soft tissue
Communication:	2.4 GHz NAS SensorLink 3 protocol / Bluetooth LE
Installation tool :	Torx T45****

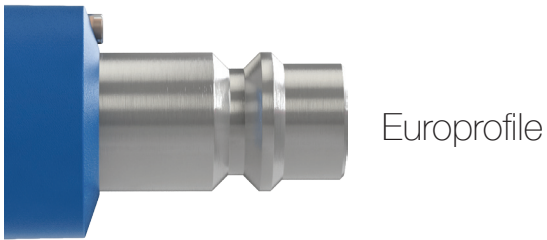
\* IM3001AP/IM3001DP only

\*\* Battery lifetime and signal range are largely dependent on the location and usage. Low temperature reduces battery life. Reinforced and metal walls block reception. Industry average is shown on datasheet.

\*\*\* Flow capacity is measured at 6 bar (87 PSI) inlet pressure, and pressure drop at 0.6 bar (8.7 PSI).

\*\*\*\* Sold separately.

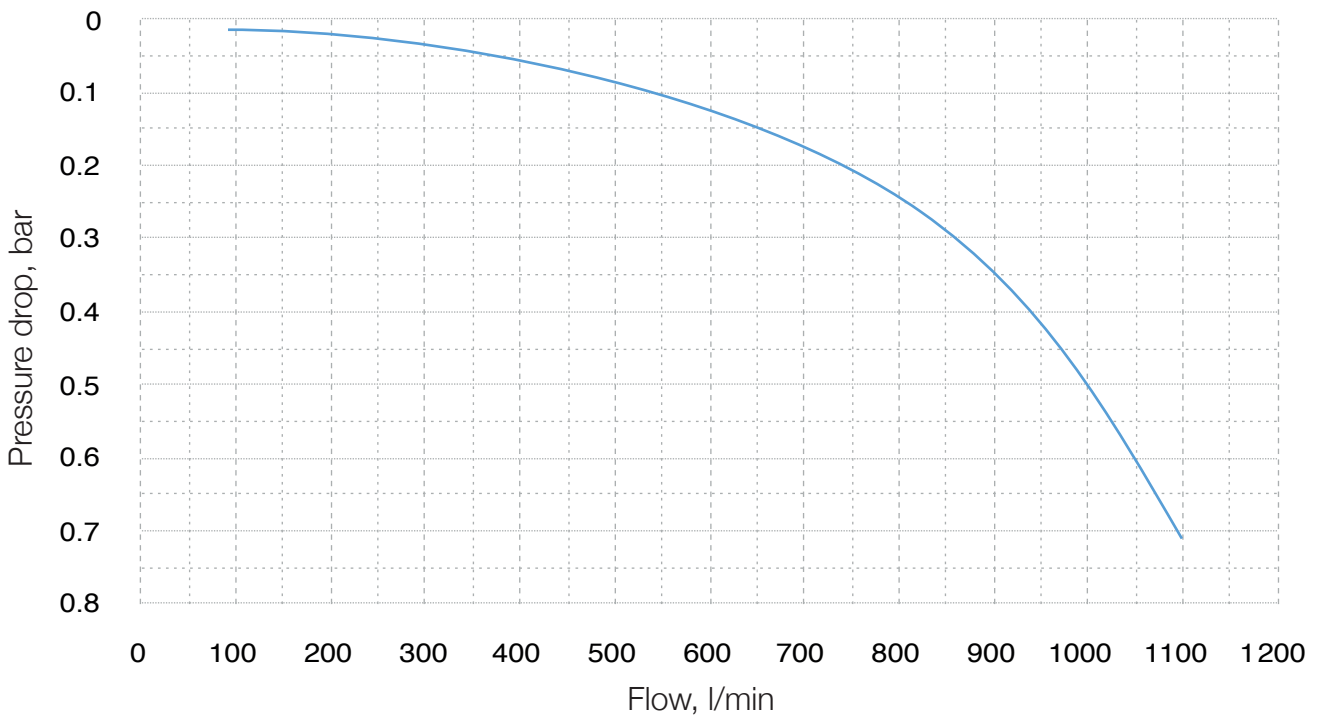
# NIPPLE / THREADING TYPES



	Stainless Steel	7-series Aluminium
1/4" BSP / G	IM3001E	IM3001A
1/4" BSP / G with pressure sensor	N/A	IM3001AP

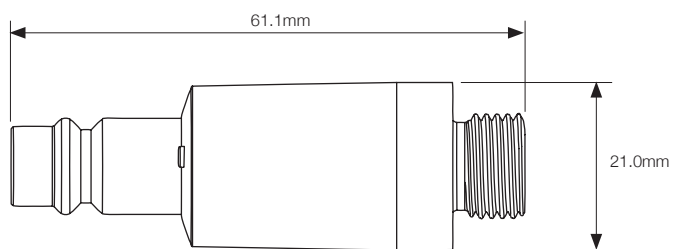
	Stainless Steel	7-series Aluminium
1/4" NPT	IM3001H	IM3001D
1/4" NPT with pressure sensor	N/A	IM3001DP

# AIR FLOW / PRESSURE DROP CHARACTERISTICS



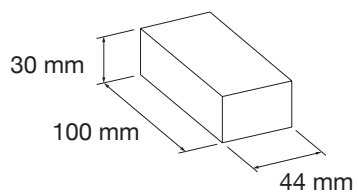
# DIMENSIONS / PACKAGING

## Dimensions

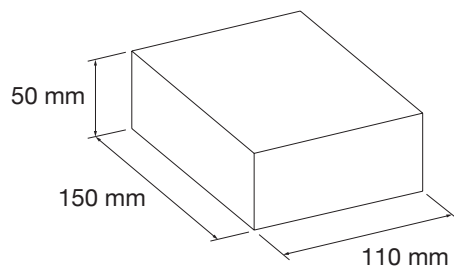


## Packaging

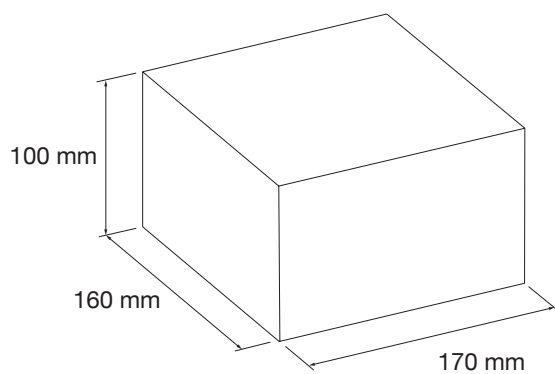
### 1 pcs box



### 5 pcs box



### 25 pcs box



# ORDERING INFORMATION

Article / SKU	Package qty	Material	Pressure sensor	Thread
IM3001A#0001EC	1	Aluminium	-	1/4" BSP / G
IM3001A#0005EC	5	Aluminium	-	1/4" BSP / G
IM3001A#0025EC	25	Aluminium	-	1/4" BSP / G
IM3001AP#0001EC	1	Aluminium	•	1/4" BSP / G
IM3001AP#0005EC	5	Aluminium	•	1/4" BSP / G
IM3001AP#0025EC	25	Aluminium	•	1/4" BSP / G
IM3001D#0001EC	1	Aluminium	-	1/4" NPT
IM3001DP#0001EC	1	Aluminium	•	1/4" NPT
IM3001E#0001EC	1	Stainless steel	-	1/4" BSP / G
IM3001E#0005EC	5	Stainless steel	-	1/4" BSP / G
IM3001E#0025EC	25	Stainless steel	-	1/4" BSP / G
IM3001H#0001EC	1	Stainless steel	-	1/4" NPT

# CONTACT INFORMATION

**Nordic Automation Systems AS**

[www.nasys.no](http://www.nasys.no)

[info@nasys.no](mailto:info@nasys.no)

**HAVS information**

[www.stophavs.com](http://www.stophavs.com)

