

SensorLink PNEUMATIC TOOL SENSOR IM3000

EUROPROFILE



SensorLink pneumatic tool sensor is a wireless device that makes your pneumatic tools visible to NAS Analytics Platform.

Sensor is attached to air powered tools by replacing regular male fitting.

Sensor's body is made of 7000 series aluminium or stainless steel with polyurethane covering protecting electronics.

Analytics Platform monitors tool's trigger time, vibration level, consumption data, maintenance cycles and enables to set up reports based on that information.

OVERVIEW

Efficient

Sensor is equipped with pre-charged lithium polymer battery with no maintenance needed during product lifetime.

Intelligent

Real-time usage data is gathered wirelessly and processed automatically. Data is accessible on any PC or smartphone connected to the internet.

Robust design

Small aluminium body makes the sensor light yet durable, having no interference on working conditions.

Plug and play

Easily mountable with automatic discovery. No additional software needed.

FEATURES

- Wireless data transmission
- Pre-charged lithium polymer battery, lifetime up to 2 years
- Air flow detection (threshold 120l/min)
- Trigger time measurement
- Worker identification
- Ambient temperature measurement
- Sensor internal data recording for off-site usage
- Flowrate 1050l/min @ 0,6 bar drop
- Various thread and connector types available

APPLICATIONS

Tool lifecycle management

Detailed overview of working cycles with exact trigger time, consumption details and notifications of upcoming maintenance deadlines to prolong tools' lifetime.

Vibration monitoring and HAVS prevention

Preventing Hand-Arm Vibration Syndrome by gaining daily vibration exposure level overviews for every employee.

Tool identification and inventory management

Default user and location assignment to each tool.

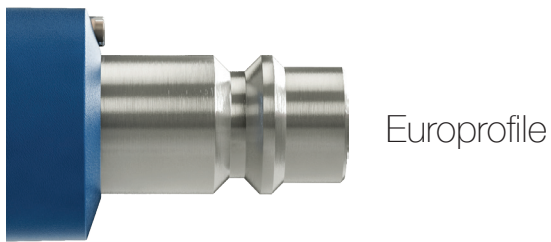
SPECIFICATIONS

Length :	61.1 mm
Diameter:	21.0 mm
Weight:	24 g Aluminium / 47 g Stainless steel
Connector standard:	Europrofile
Operating temperature:	0°C ... +30°C
RF range:	up to 30 m*
Maximum trigger flow:	150 l/min, 6 bar
Battery lifetime:	up to 2 years*
Nominal flow diameter:	5 mm
Air flow:	1050 l/min**
Max. working pressure:	10 bar (145 PSI)
Nipple material:	7000-series aluminium / Stainless steel
Body material:	Polyurethane
Interchangeable with:	Rectus 25/26 Tema 1600/1625 Prevost ESC07/ERC07/ESI07/ISC08 Oetiker SC C Hansen Auto-Flo 24
Thread type:	1/4" BSP / G 1/4" NPT
Cleaning recommendation:	Alcohol-based liquids and soft tissue
Communication:	2.4 GHz NAS SensorLink 3 protocol

* Battery lifetime and signal range are largely dependent on the location and usage. Low temperature reduces battery life. Reinforced and metal walls block reception. Industry average is shown on datasheet.

** Flow capacity is measured at 6 bar (87 PSI) inlet pressure, and pressure drop at 0.6 bar (8.7 PSI).

NIPPLE / THREADING TYPES

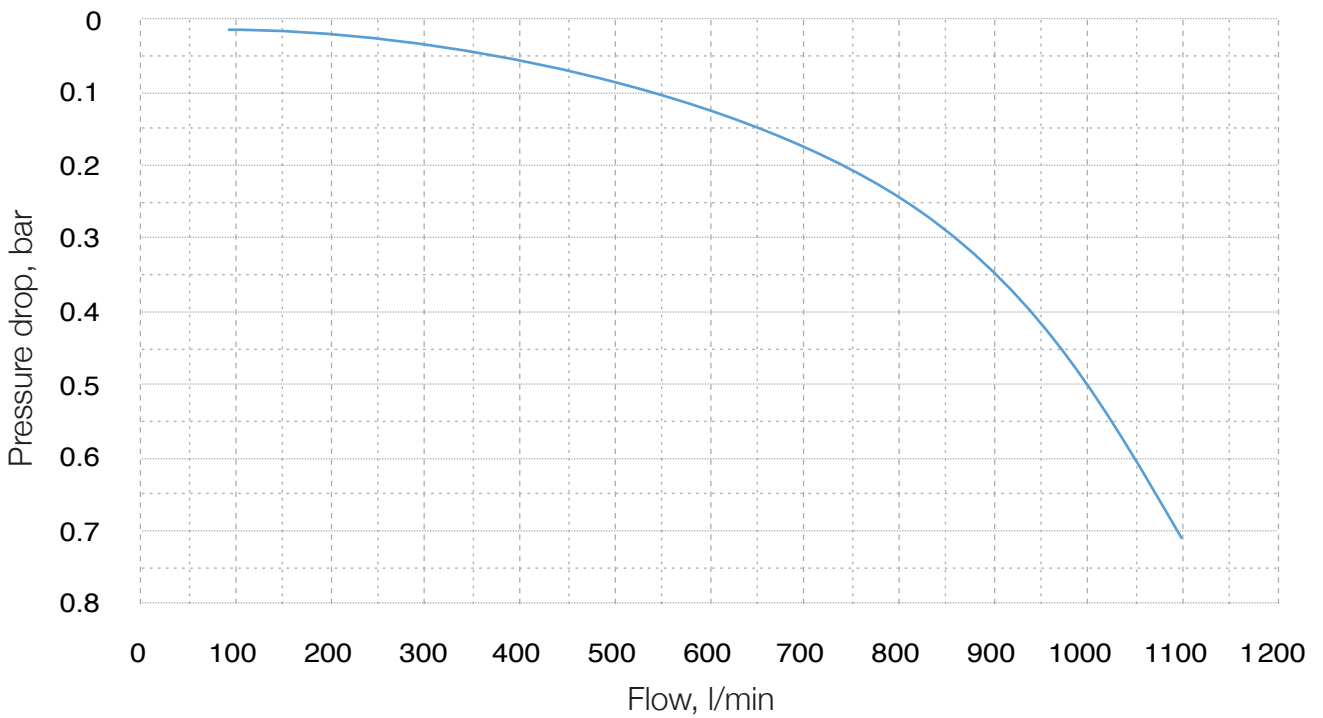


	Stainless Steel	7-series Aluminium
1/4" BSP / G	IM3000E	IM3000A



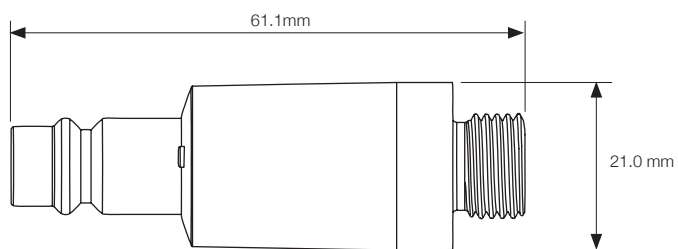
	Stainless Steel	7-series Aluminium
1/4" NPT	IM3000H	IM3000D

AIR FLOW / PRESSURE DROP CHARACTERISTICS



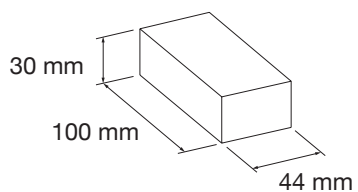
DIMENSIONS / PACKAGING

Dimensions

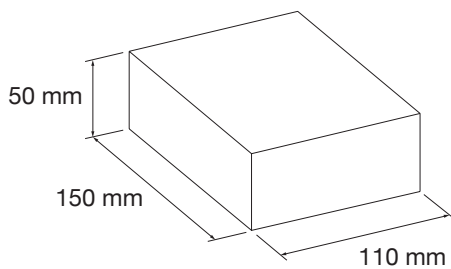


Packaging

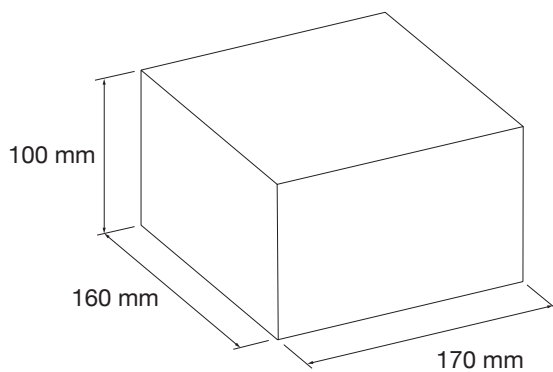
1 pcs box



5 pcs box



25 pcs box



ORDERING INFORMATION

Article / SKU	Package qty	Material	Thread
IM3000A#0001EC	1	Aluminium	1/4" BSP / G
IM3000A#0005EC	5	Aluminium	1/4" BSP / G
IM3000A#0025EC	25	Aluminium	1/4" BSP / G
IM3000D#0001EC	1	Aluminium	1/4" NPT
IM3000E#0001EC	1	Stainless steel	1/4" BSP / G
IM3000E#0005EC	5	Stainless steel	1/4" BSP / G
IM3000E#0025EC	25	Stainless steel	1/4" BSP / G
IM3000H#0001EC	1	Stainless steel	1/4" NPT

CONTACT INFORMATION

Nordic Automation Systems AS

www.nasys.no

info@nasys.no

HAVS information

www.stophavs.com

