



Installation Guide

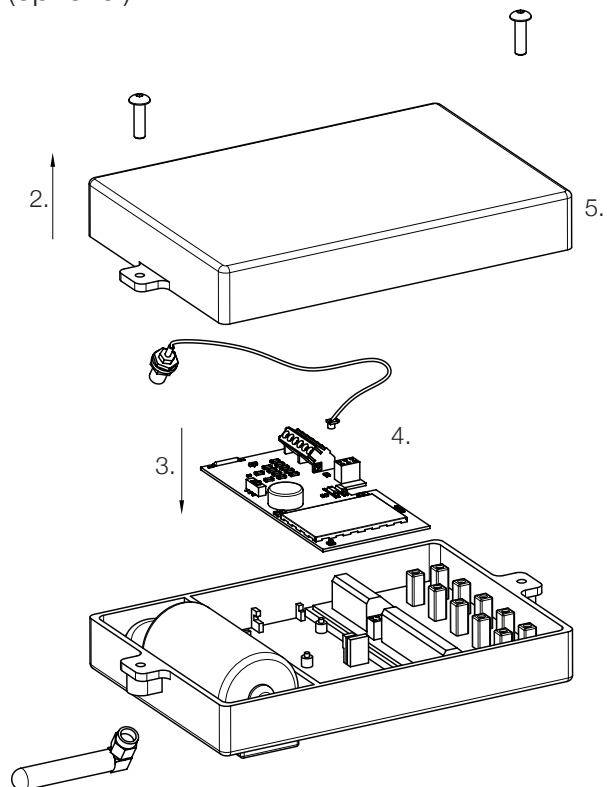
INSTALLATION GUIDE

Prerequisites

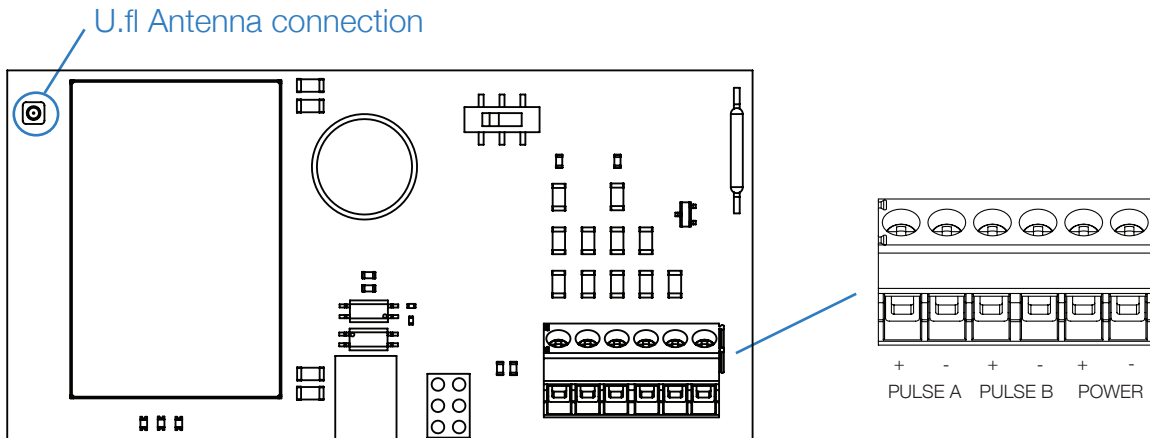
- Free expansion module slot

Installation procedure

1. Register the unit to the LoRa network
 - Details needed for registering the device with your LoRa service provider are included in a separate sticker.
2. Open Multical meter housing
3. Install Multical Reader into the expansion module slot.
 - Terminal block side first
 - Lock it in place
4. Connect external antenna
Connect external DC power supply (optional)
 - +3,7V - positive
 - GND - negative
 - Do not remove battery if present
 - Set switch to EXT position
5. Close Multical meter housing
 - Use dedicated wire outlets
6. Apply DC voltage (optional)



VISUAL GUIDE




SAFETY NOTICE

1. Read, follow, and keep these instructions.
2. Heed all warnings.
3. Only use attachments/accessories specified by the manufacturer.

 **WARNING:** Do not apply power before connecting the antenna!

 **WARNING:** Electrostatically sensitive device, hold PCB only from its edges, do not touch components on the PCB.

 **WARNING:** Product is delivered in the form of printed circuit board (PCB) for internal installation only.

REVISION HISTORY

0.1 - First draft

0.2 - Updated process

All content contained herein is subject to change without notice. Nordic Automation Systems reserves the right to change or modify the content at any time.