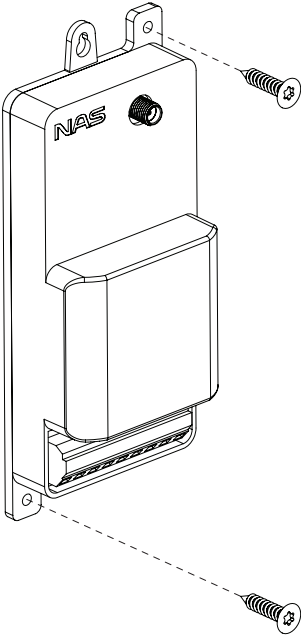


LUMINAIRE CONTROLLER

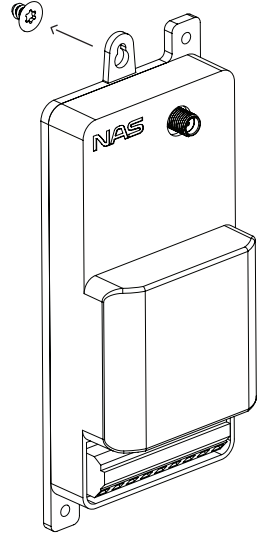
UL2002

1 INSTALL CONTROLLER

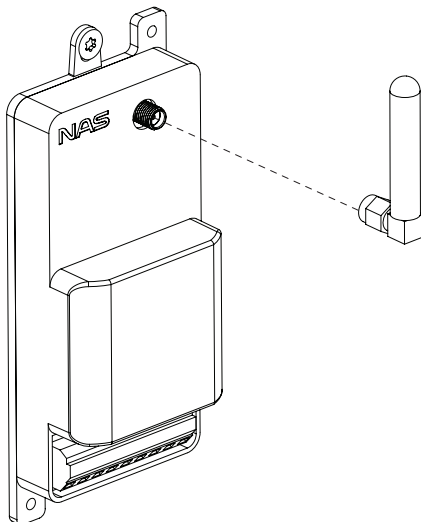
a) Fasten the device with a screw



b) Hang the device



2 CONNECT ANTENNA



LUMINAIRE CONTROLLER

UL2002

3 CONNECT POWER IN

4 - $N_{(in)}$ → Neutral IN

5 - $L_{(in)}$ → Line IN

4 CONNECT POWER OUT (optional)

3 - $N_{(out)}$ → OUT

2 - $L_{(out)}$ → Line out

OR

1 - $\bar{L}_{(out)}$ → Inverted Line out

5 CONNECT DRIVER CONTROLS

8 & 9 → DALI

OR

6 → 0...10V+

7 → 0...10V-

6 POWER ON

DO NOT POWER ON WITHOUT CONNECTED ANTENNA

- Switch grid power on.
- The controller starts to initialize and the red light will flash.
 - If the controller failed to initialize the red light will stay on for 5 sec.
- The controller tries to register to network and the green light is flashing.
 - If it failed to join, the controller will reboot and process will start again.
- If the network join was successful, the green light will stay on.

7 TROUBLESHOOTING

If the device did not register to the network, it can be for 2 reasons:

- The device is not allowed in the network and it must be registered with the service provider.

The necessary data is on a separate sticker in the package (DevEUI, AppEUI, AppKey). Once the device is registered repeat the switching on procedure described under point 6.

- There is no LoRaWAN reception. Contact your LoRaWAN service provider.

