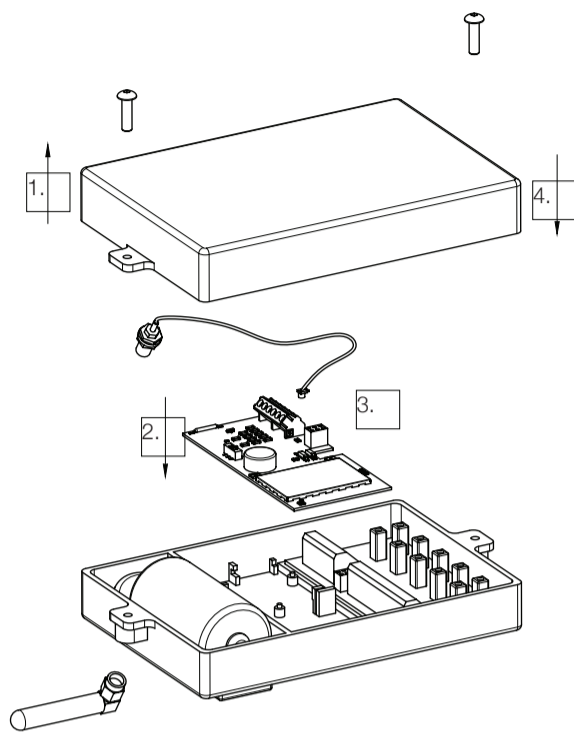


LoRaWAN® MULTICAL READER I

CM3060

1 INSTALL THE READER



1) Open Multical meter housing

2) Install Multical Reader into the expansion module slot.

- Terminal block side first
- Lock it in place

3) Connect external antenna



WARNING:

Do not apply power before connecting the antenna!

Optional:

Connect external DC power supply

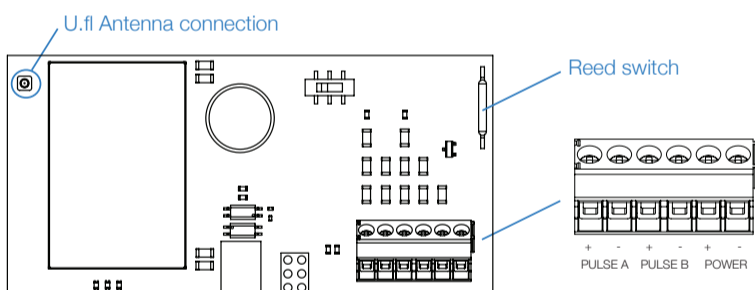
- +3,7V - positive
- GND - negative
- Do not remove battery if present
- Set switch to EXT position

4) Close Multical meter housing

- Use dedicated wire outlets

Optional:

Apply DC voltage



2 SWITCHING ON

The device should automatically start once the meter housing is closed. If it does not, activate it with 1 second magnet touch on the meter housing where the reed switch is on the reader card.

*The sensor starts to initialize and the the buzzer beeps once and then starts to beeb in short intervals.

- If the sensor failed to initialize the buzzer will do a longer beep.

* The sensor tries to register to network and the buzzer keeps beeping

- If it failed to join, the buzzer will do a longer beep

* If the network join was successful, the buzzer wil do a serie of fast beeps

3 TROUBLESHOOTING

If the device did not register to the network, it can be for 2 reasons:

- The device is not allowed in the network and it must be registered with the service provider.

The necessary data is on a separate sticker in the package (DevEUI, AppEUI, AppKey). Once the device is registered repeat the switching on procedure described under point 4.

- There is no LoRaWAN reception. Contact your LoRaWAN service provider.